

B8TURBOEX(W)

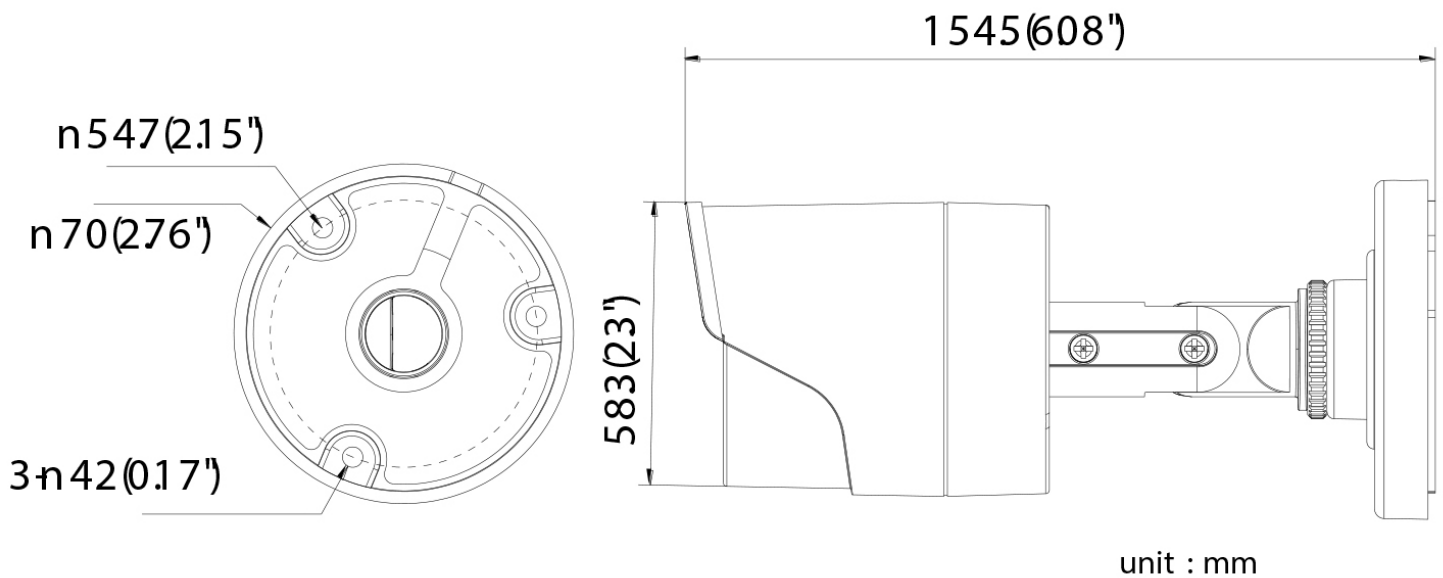
HD1080P IR Bullet Camera

Key Features

- 2 Megapixel high-performance CMOS
- Analog HD output, up to 1080P resolution
- True Day/Night, Smart IR
- Up to 20m IR distance
- IP66 weatherproof



Dimension



Camera	
Image Sensor	2MP CMOS Image Sensor
Signal System	PAL/NTSC
Effective Pixel	1920(H) * 1080(V)
Min. illumination	0.01 Lux @ (F1.2,AGC ON), 0 Lux with IR
Shutter Time	1/25(1/30)s to 1/50,000s
Lens	2.8mm, 3.6mm, 6mm optional
	Angle of View: 103° (2.8 mm), 82.2° (3.6 mm), 54° (6 mm)
Lens Mount	M12
Day & Night	ICR
Angle Adjustment	Pan: 0 - 360°, Tilt: 0 - 180°, Rotation: 0 - 36
Synchronization	Internal synchronization
Video Frame Rate	1080p@25fps /1080p@30fps
HD Video Output	1 Analog HD output
S/N Ratio	>62 dB
General	
Operating Conditions	-40 °C – 60 °C (-40 °F – 140 °F), Humidity 90% or less (non-condensing)
Power Supply	12 VDC ±15%
Power Consumption	Max. 4 W
Protection Level	IP66
IR Range	Up to 20 m
Dimensions	Φ 70×149.5 mm (Φ 2.76"×5.89")
Weight	400 g

Accessories



DS-1280ZJ-XS
Junction box



S-1H18
Video Balun



X41T
Camera Tester