

B30TURBOEXIR

Turbo HD EXIR Bullet Camera



► Camera

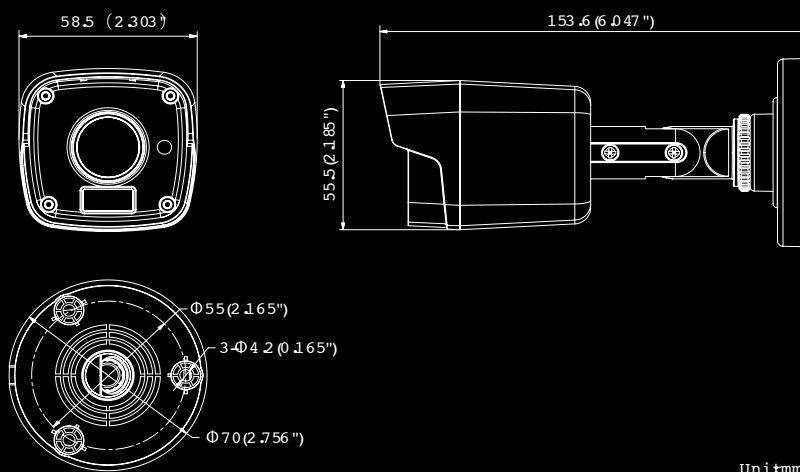
Image Sensor	3MP CMOS Image Sensor
Effective Pixels	2052(H)*1536(V)
Min. illumination	0.01 Lux @ (F1.2,AGC ON),0 Lux with IR
Shutter Time	1/25(1/30)s to 1/50,000s
Lens	2.8mm
	Angle of View: 84°(2.8mm)
Lens Mount	M12
Day & Night	ICR
Angle Adjustment	Pan: 0°- 360°; Tilt: 0°- 90°; Rotate: 0°- 360°
Synchronization	Internal Synchronization
Video Frame Rate	1920×1536@18fps
HD Video Output	1 Analog HD output
S/N Ratio	>62dB

► General

Operating Conditions	-40 °C – 60 °C (-40 °F – 140 °F), Humidity 90% or less (non-condensing)
Power Supply	12 VDC±15%
Power Consumption	Max. 5W
Protection Level	IP66
IR Range	Up to 20m
Communication	Up the coax, Protocol: HIKVISION-C (TVI output)
Dimensions	58.5 mm × 55.5 mm × 153.6 mm (2.30"×2.19"×6.05")
Weight	Approx. 370g (0.82lb)

► Menú

AGC	Support
D/N Mode	Color/BW/SMART
White Balance	ATW/ MWB
BLC	Support
Functions	Digital noise reduction, Mirror, SMART IR



epcom®

TURBOHD

30